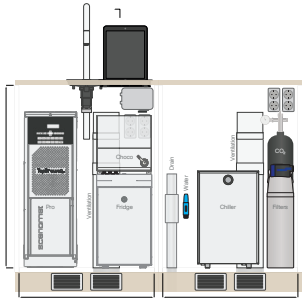


| PLANNING

INFORMATION FOR
CUSTOMERS
ARCHITECTS & DESIGNERS

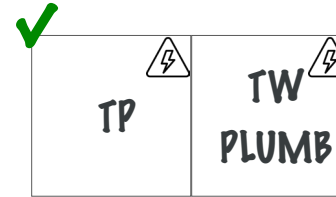
Scanomat Pre-Installation Planning Guide

In this guide you will find vital information to plan your Scanomat installation.



Configurations

Installation setup for configurations of drink solutions with recommended standard layout and cabinet sizes.



Installation Layout Plan

Tool to plan the specific installation layout.

Scanomat Pre-Installation Guides for external contractors



Cut-Outs Guide

For carpenter and countertop supplier.

Cut-Outs in cabinets and countertop.



Electricity Guide

For electricians.

Electrical requirements and positioning.



Plumbing Guide

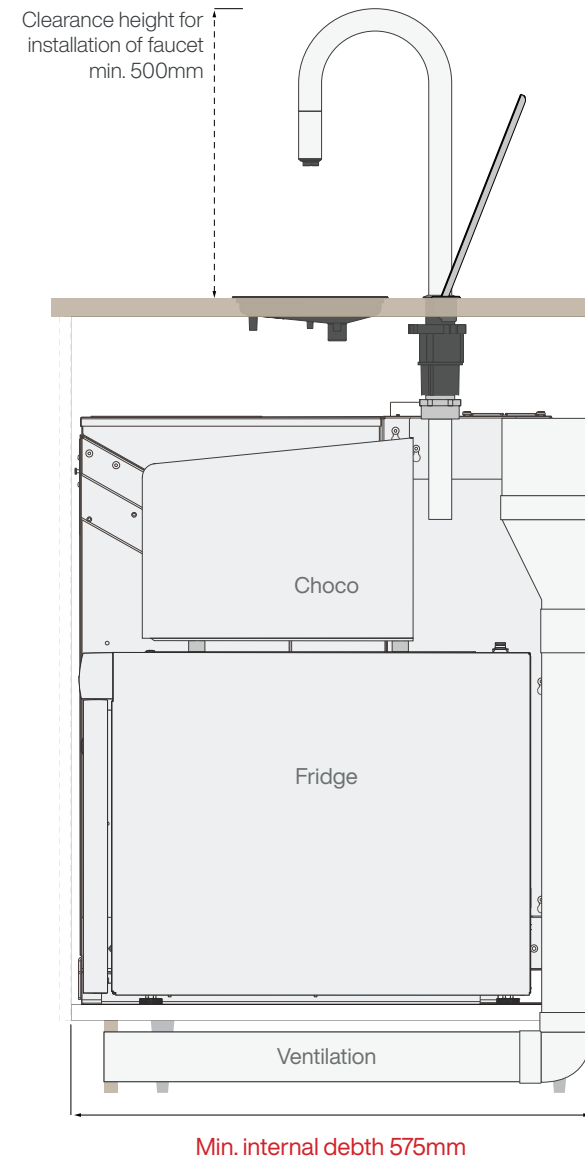
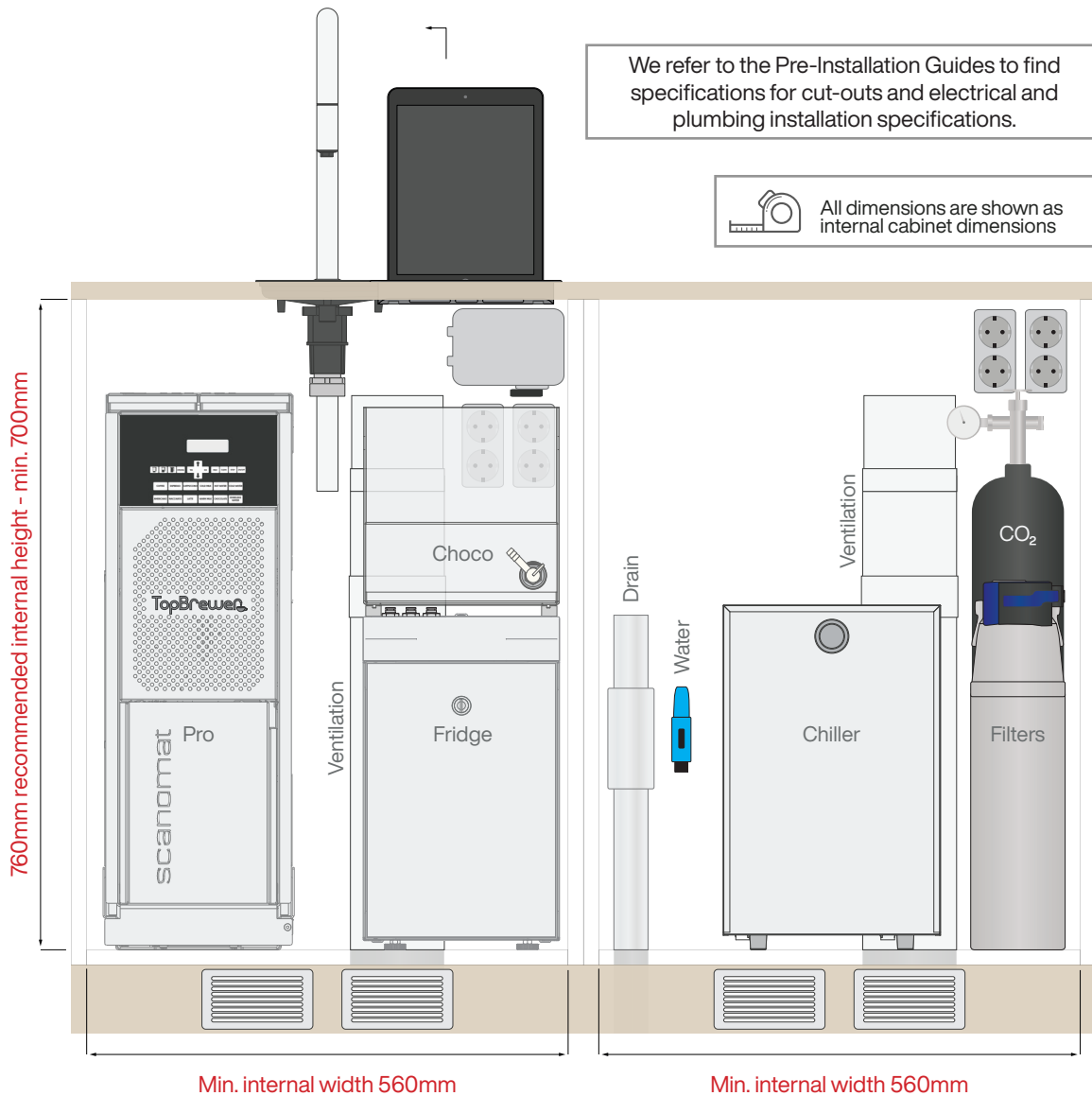
For plumbers.

Mandatory water supply and drainage for installations.

Find all Pre-Installation Guides and videos at scanomat.com/preinstallation

TP1 | TP2 | TC1 | TC2

Installation Standard Layout | TopBrewer Pro/Compact | Fridge | Chiller | Choclate (optional)



To ensure minimum cabinet depth, the cabinet can be installed with space to the wall and the countertop can be extended to the back. Remove backplate in cabinet before installation.

Pre-Installations by external contractors in this configuration

Cut-Outs for ventilation in both cabinets. Cut-Outs for faucet, grill and iPad holder in countertop.

See Pre-Installation Cut-Outs for more details.

Electricity version 1 in left cabinet and version 2 in right cabinet.

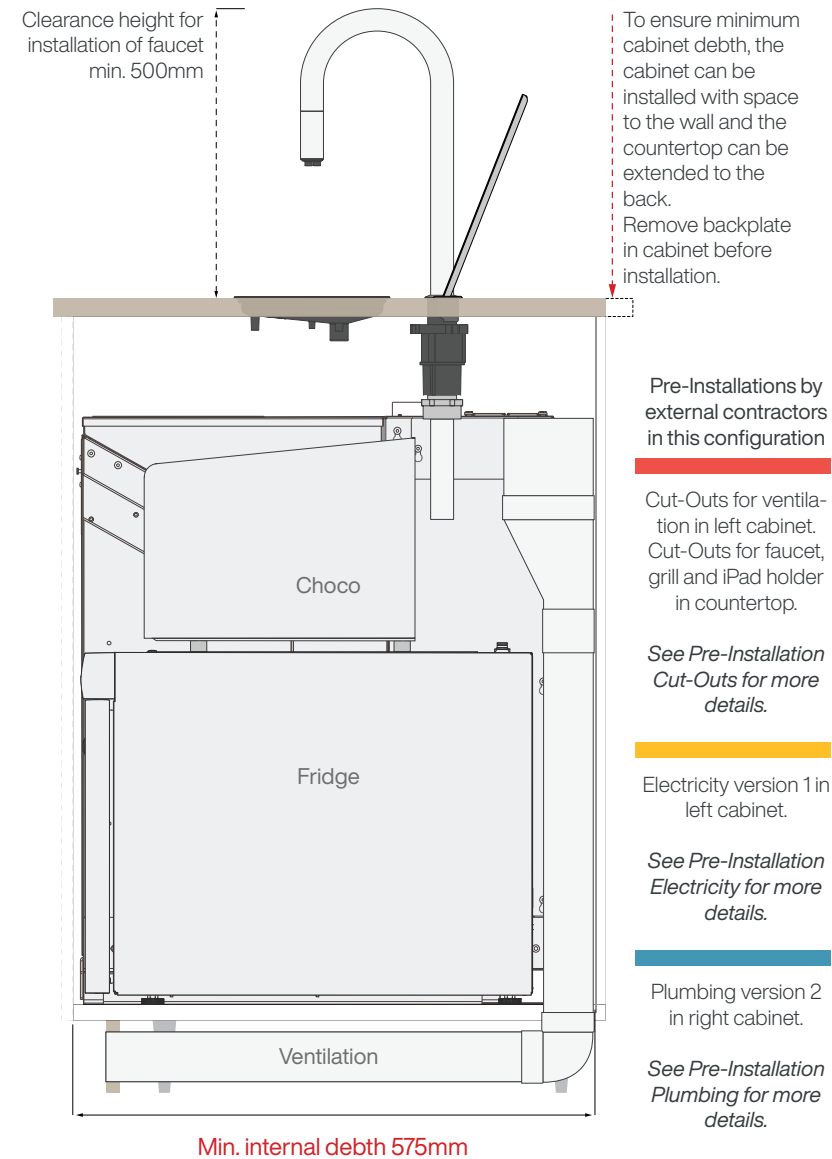
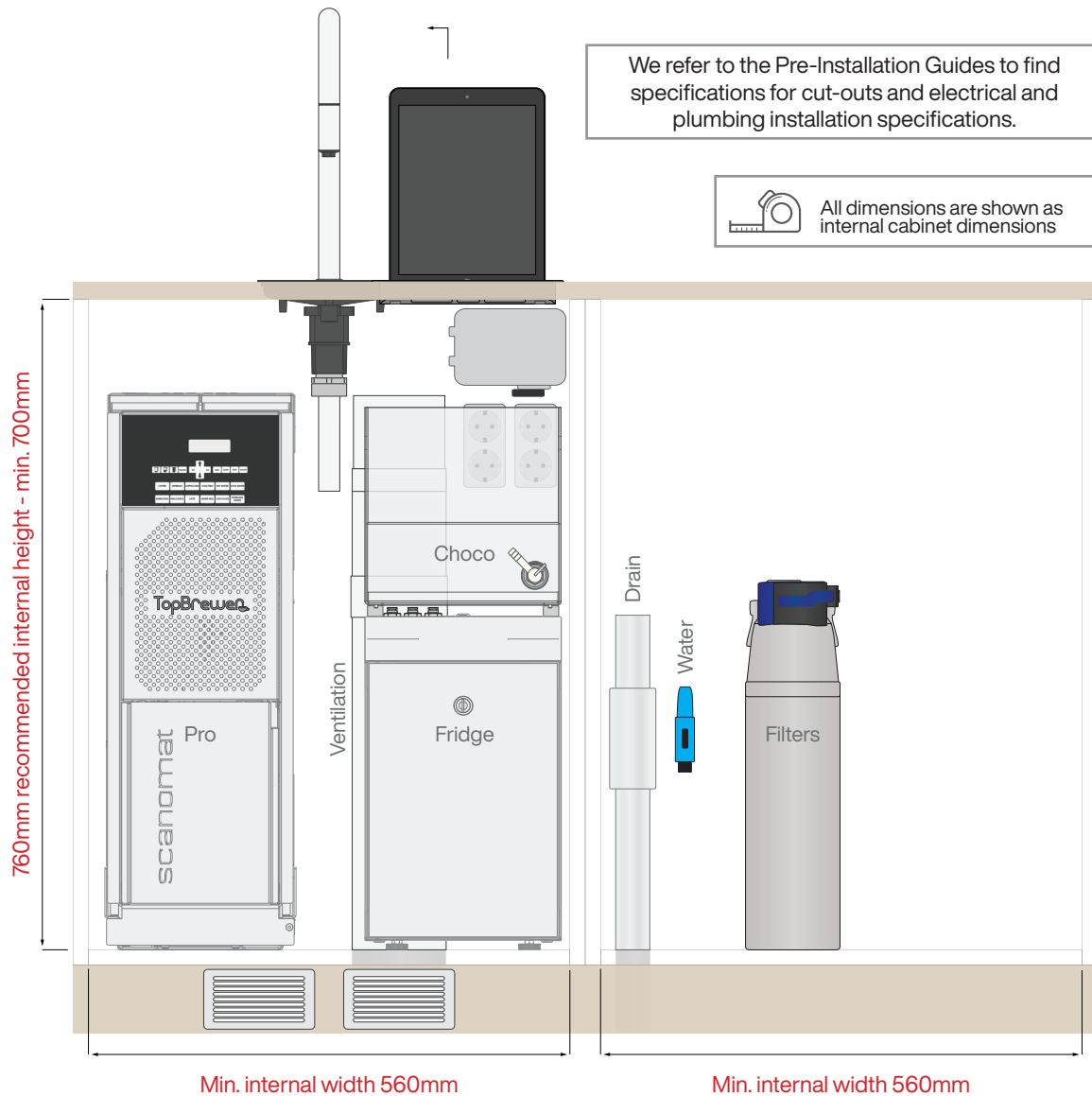
See Pre-Installation Electricity for more details.

Plumbing version 2 in right cabinet.

See Pre-Installation Plumbing for more details.

TP3 | TP4 | TC3 | TC4

Installation Standard Layout | TopBrewer Pro/Compact | Fridge | Chocolate (optional)

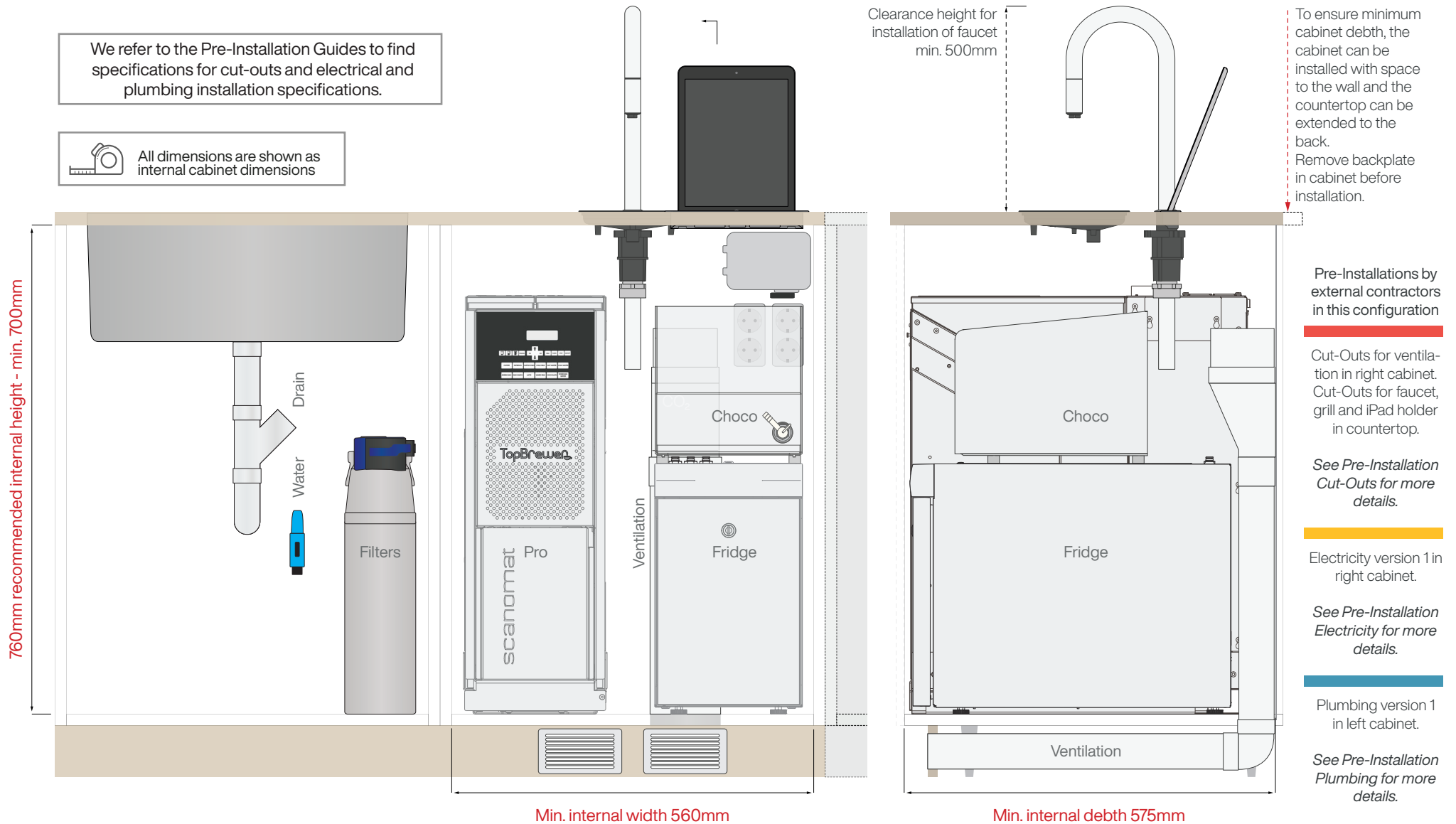


Installation with adjacent sink cabinet

Installation Standard Layout | TopBrewer Pro/Compact | Fridge | Chocolate (optional)

We refer to the Pre-Installation Guides to find specifications for cut-outs and electrical and plumbing installation specifications.

All dimensions are shown as internal cabinet dimensions



760mm recommended internal height - min. 700mm

Min. internal width 560mm

Min. internal depth 575mm

Clearance height for installation of faucet min. 500mm

To ensure minimum cabinet depth, the cabinet can be installed with space to the wall and the countertop can be extended to the back. Remove backplate in cabinet before installation.

Pre-Installations by external contractors in this configuration

Cut-Outs for ventilation in right cabinet. Cut-Outs for faucet, grill and iPad holder in countertop.

See Pre-Installation Cut-Outs for more details.

Electricity version 1 in right cabinet.

See Pre-Installation Electricity for more details.

Plumbing version 1 in left cabinet.

See Pre-Installation Plumbing for more details.

