

| CUT-OUTS

INFORMATION FOR
CARPENTER
COUNTERTOP SUPPLIER

WATCH
VIDEO
GUIDE



Cut-outs in cabinet with installation

All cabinets with installation of a Scanomat machine shall be prepared with cut-outs for ventilation.



Cabinet Top View (inside)



Air-inlet - In total min. 75 cm²
Can be divided and placed between cabinet fasteners. 300x25mm

Flat Channel

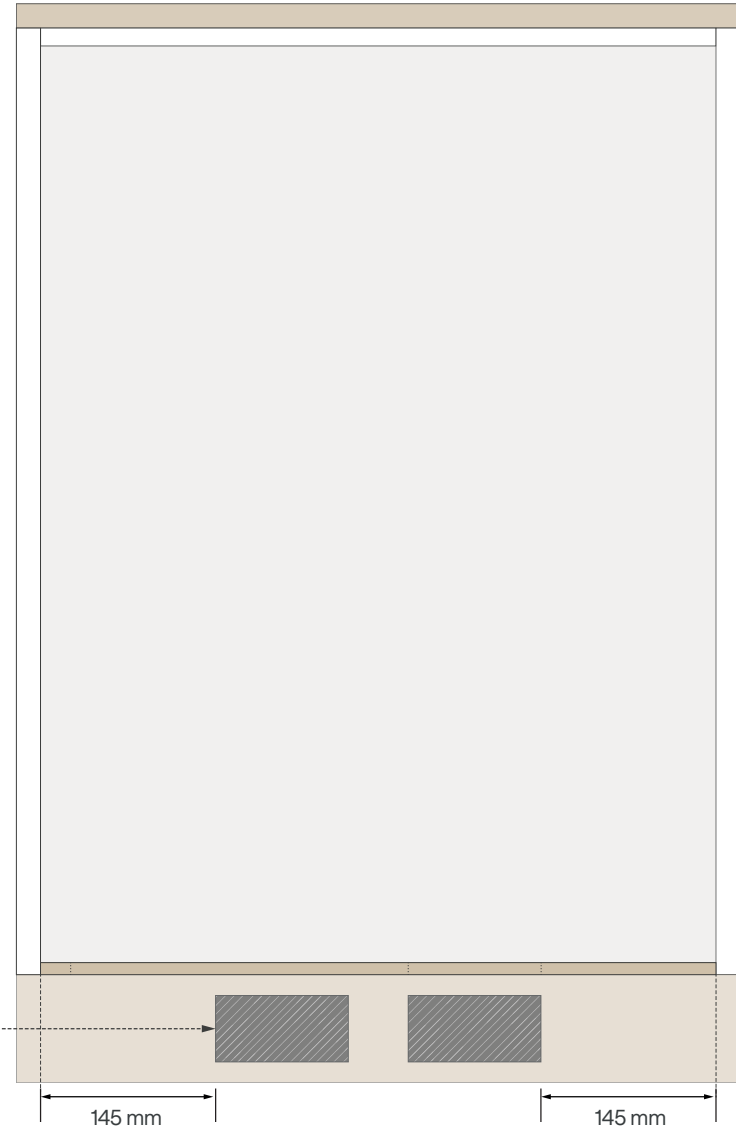
120x70mm

*If the cabinet has less depth than 570mm inside, please contact Scanomat before cut-outs for ventilation.

Air-inlets - Two inlets in the footpanels

110x55mm

Cabinet Front View



Cut-outs in countertop for installation

Make sure the right iPad holder is specified before starting the work.

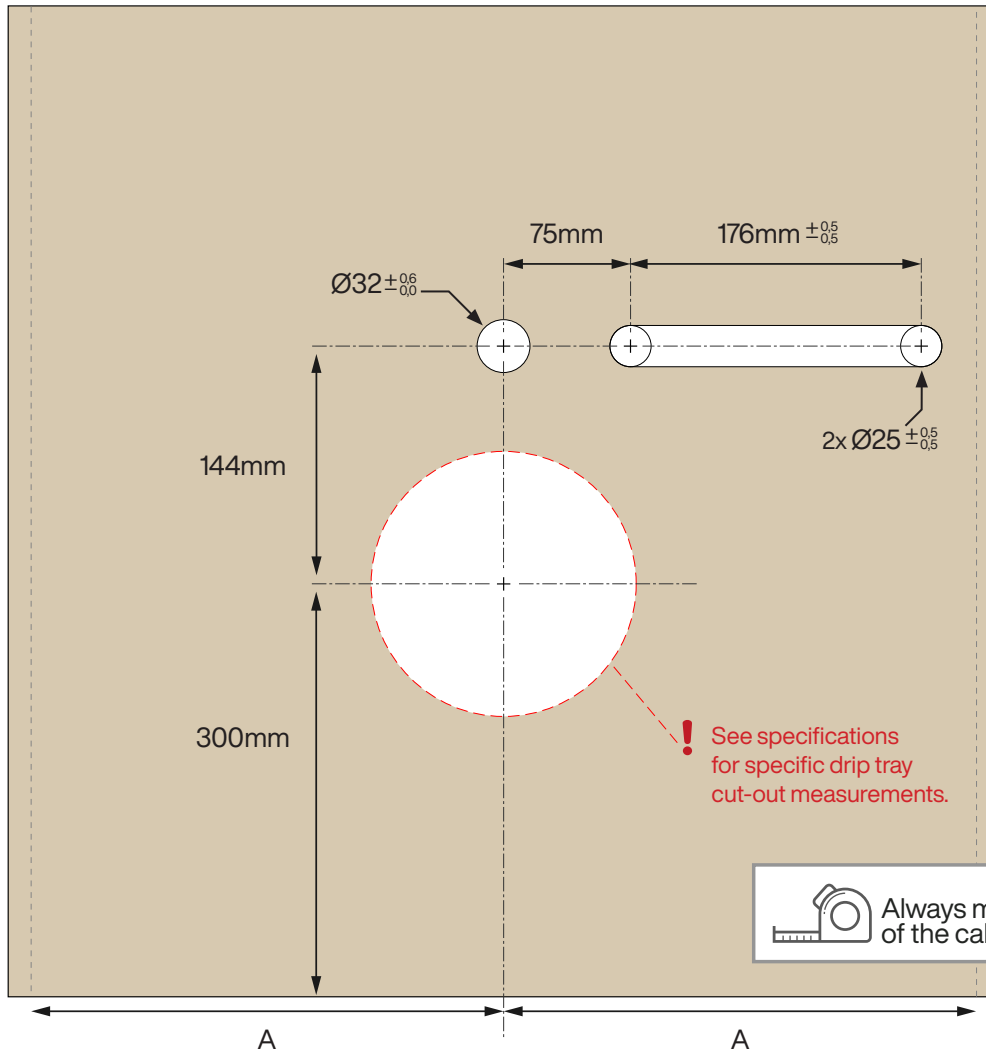
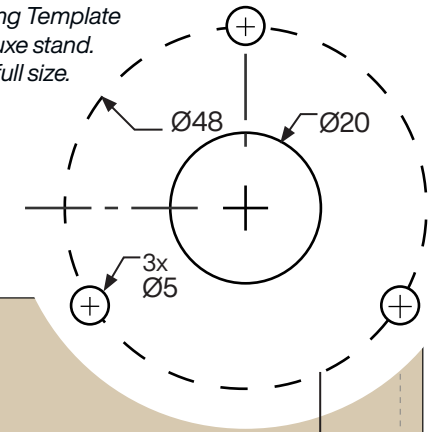


iPad Standard Holder




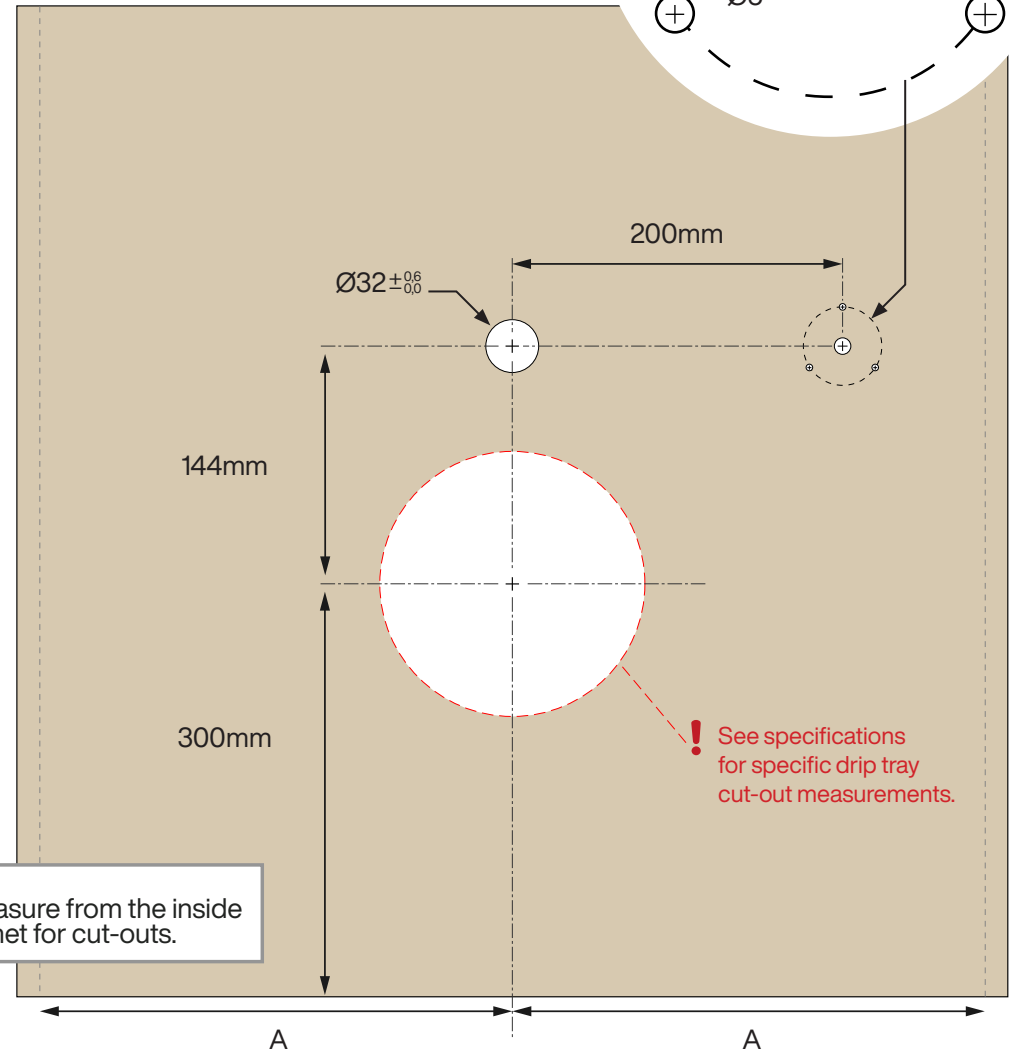
iPad Deluxe Holder

1:1 Drilling Template for iPad Deluxe stand. Print A4 full size.



! See specifications for specific drip tray cut-out measurements.

 Always measure from the inside of the cabinet for cut-outs.



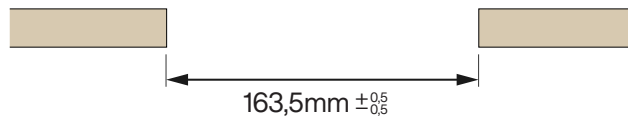
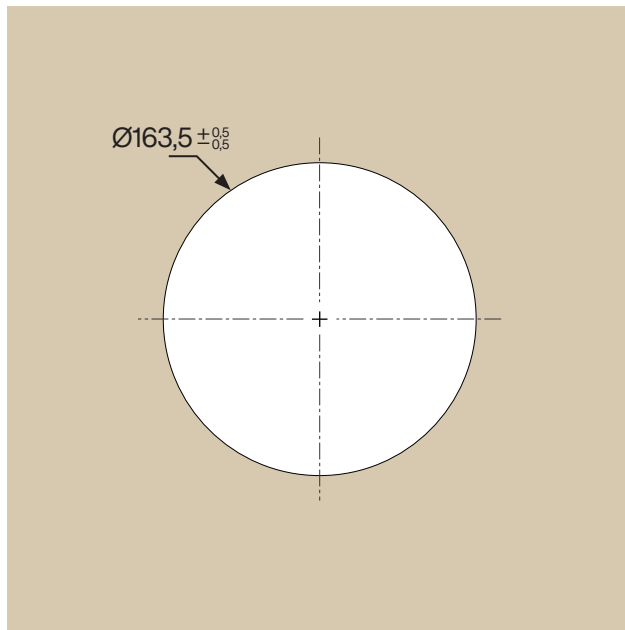
! See specifications for specific drip tray cut-out measurements.

Drip Tray Top-Mounted



Top-Mounted drip tray with lip is recommended for wooden countertops or countertops where the cut can only be made throughout.

SKU: 2006162A

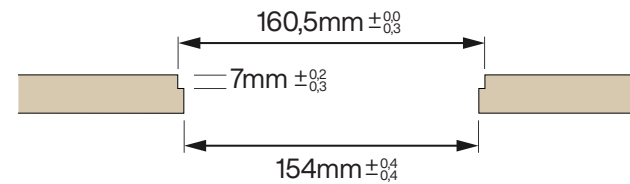
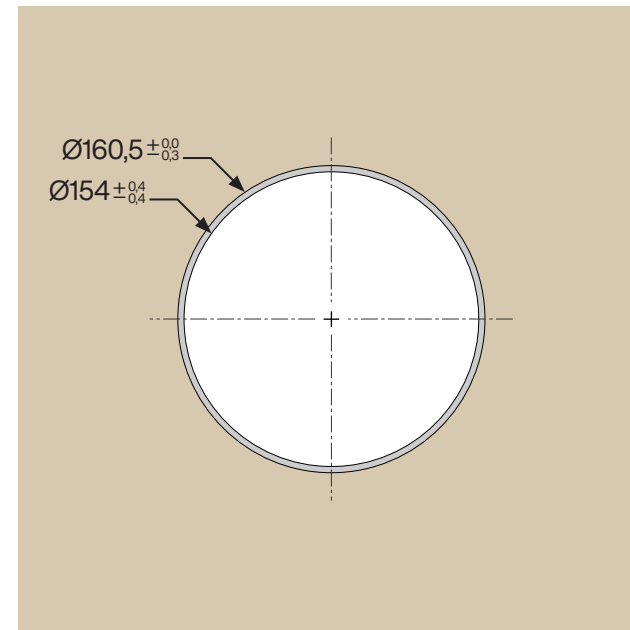


Drip Tray Countersunk



Countersunk drip tray is recommended for solid countertops where the cut-out can be milled with a template.

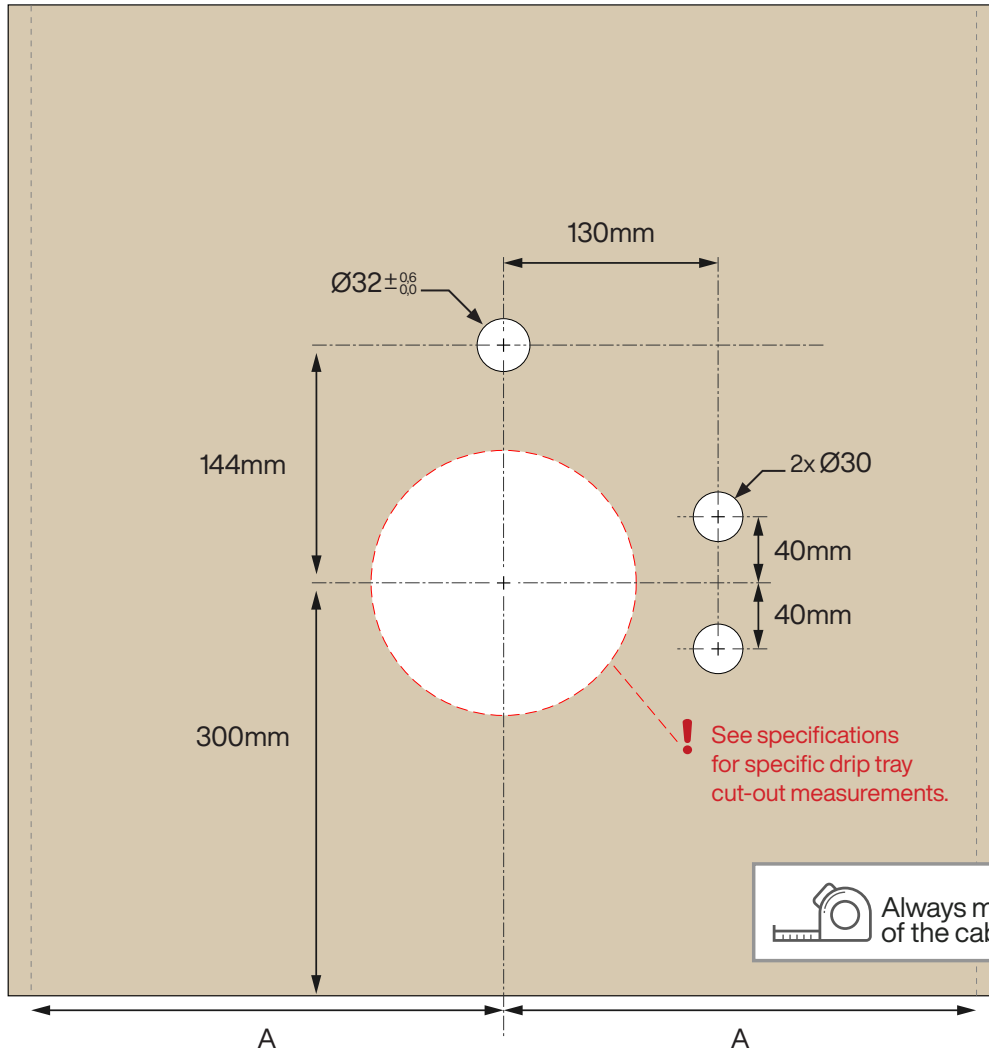
SKU: 2006162



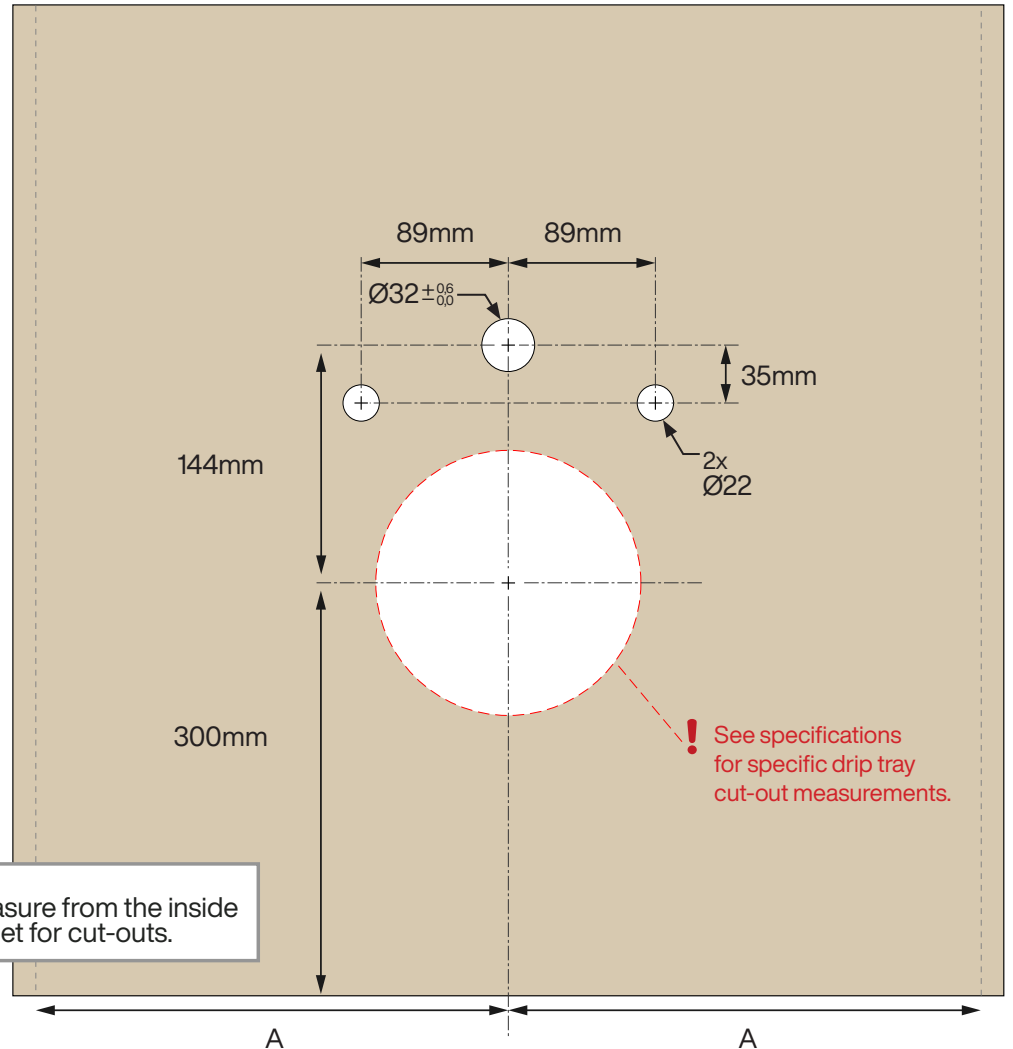
Cut-outs in countertop for TopWater installation


Make sure the right buttons version is specified before starting the work.

Push Buttons



Sensor Buttons



 Always measure from the inside of the cabinet for cut-outs.